

# Reductor Corona Sinfin

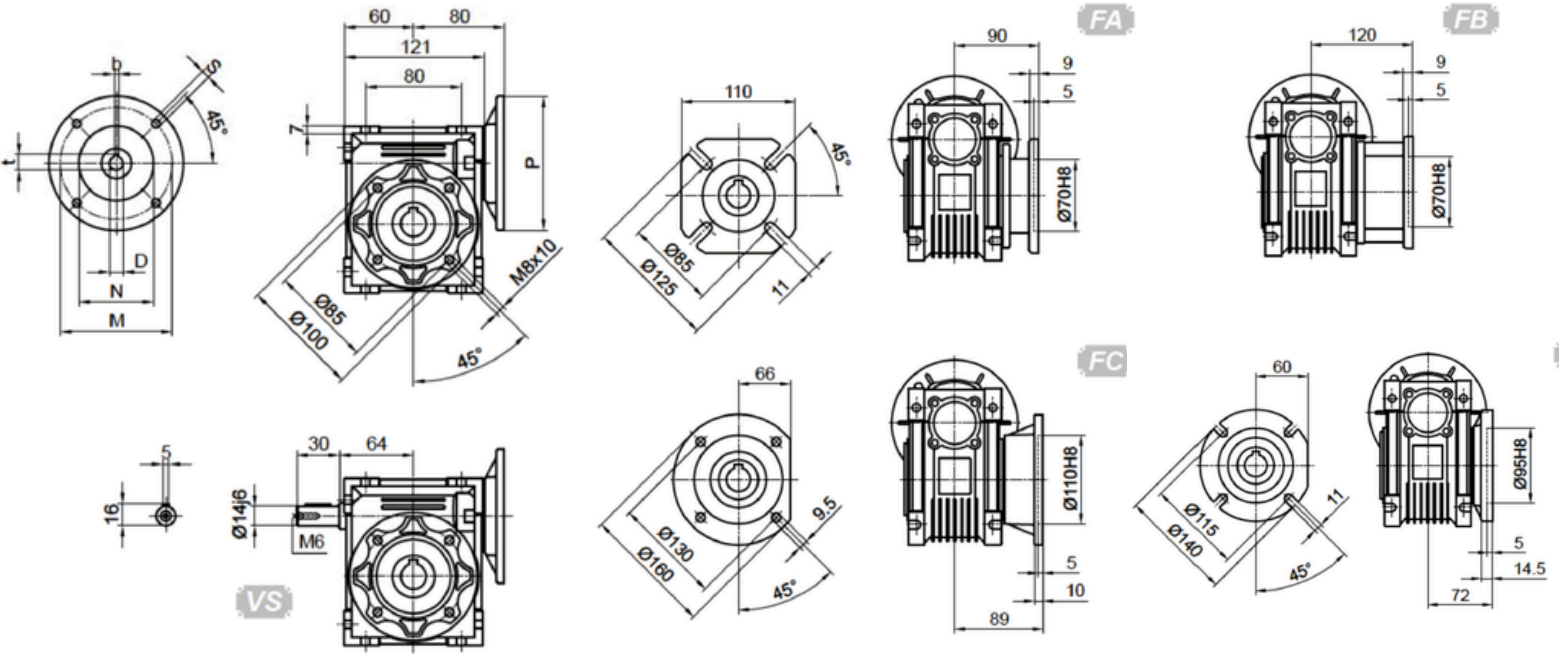
HMRV Tamaño 50



mairisa



Modelo	Radio	RPM	Torque (in-lbs)	Max HP	Power (kW)	FRAME	Input Shaft Dia.	Output Shaft Dia.	F.S
HMRV50	20 : 1	70 RPM	73 Nm	0.53	0.7	71B	14 mm	25 mm	1.2
	30 : 1	46.7 RPM	84 Nm	0.45	0.6	71B	14 mm	25 mm	1.2
	40 : 1	35 RPM	76 Nm	0.30	0.4	71B	14 mm	25 mm	1.2
	60 : 1	23.3 RPM	68 Nm	0.23	0.3	71B	14 mm	25 mm	1.2



FRAME	D	b	t	P	M	N	S
71B14	14	5	16.3	105	85	70	7

\*Peso sin motor = 3.5 kg

