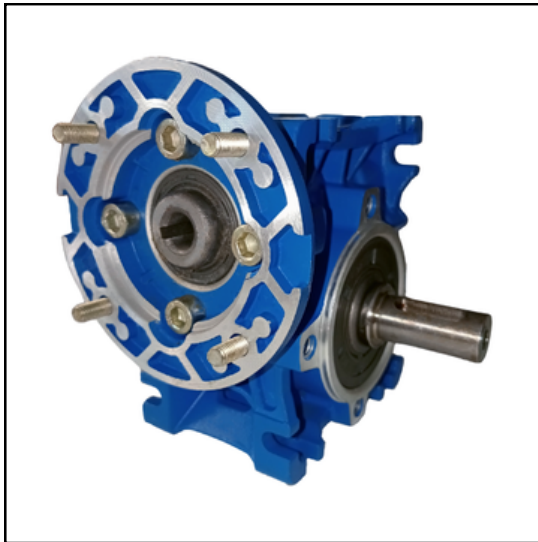


# Reductor Corona Sinfin

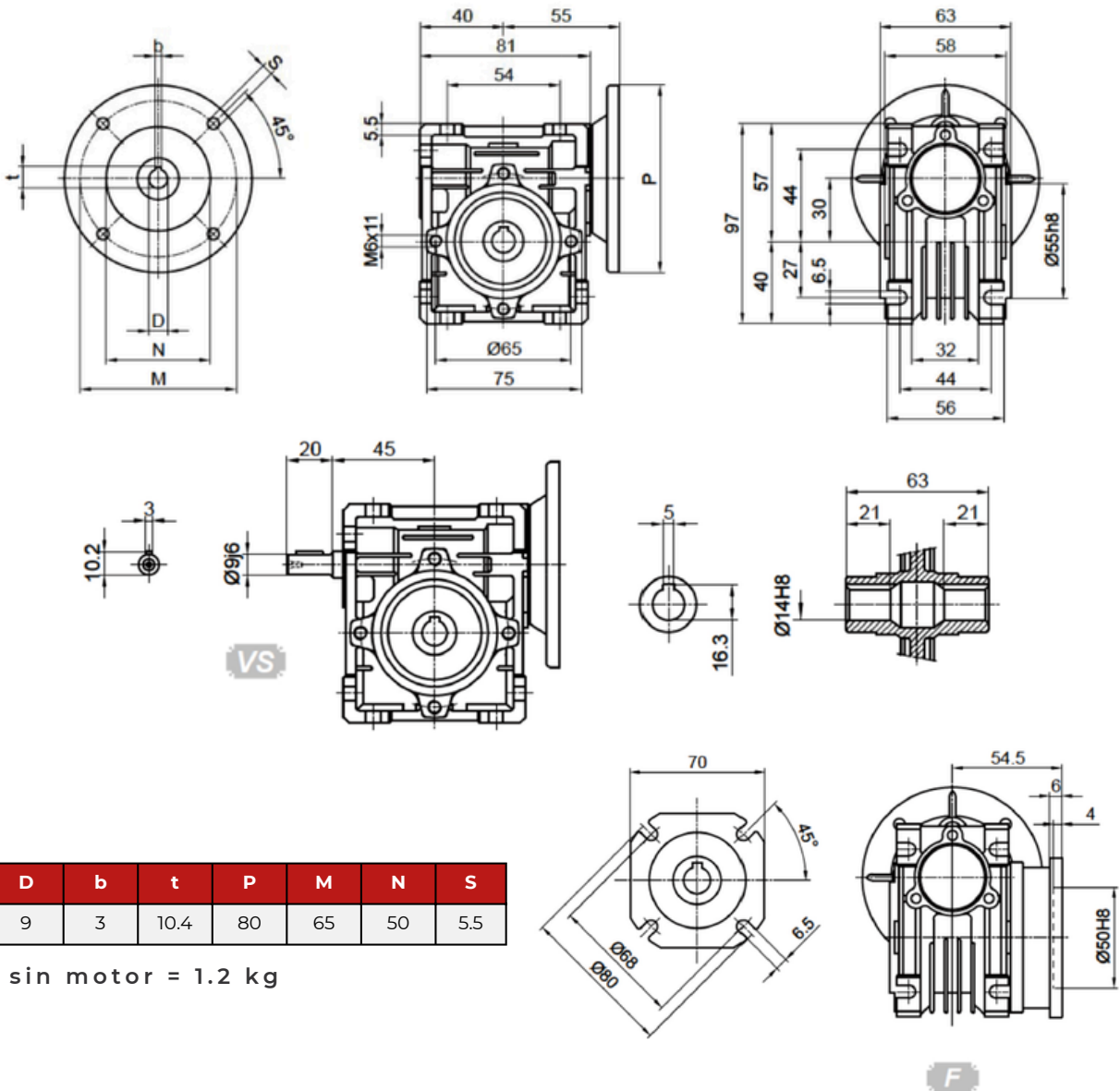
HMRV Tamaño 30



mairra



Modelo	Ratio	RPM	Torque (in-lbs)	Max HP	Power (kW)	FRAME	Input Shaft Dia.	Output Shaft Dia.	F.S
HMRV30	20 : 1	70 RPM	18 Nm	0.15	0.2	56B	9mm	14 mm	1.2
	30 : 1	46.7 RPM	20 Nm	0.15	0.2	56B	9mm	14 mm	1.2
	40 : 1	35 RPM	18 Nm	0.08	0.1	56B	9mm	14 mm	1.2
	60 : 1	23.3 RPM	16 Nm	0.08	0.1	56B	9mm	14 mm	1.2



FRAME	D	b	t	P	M	N	S
56B14	9	3	10.4	80	65	50	5.5

\*Peso sin motor = 1.2 kg

