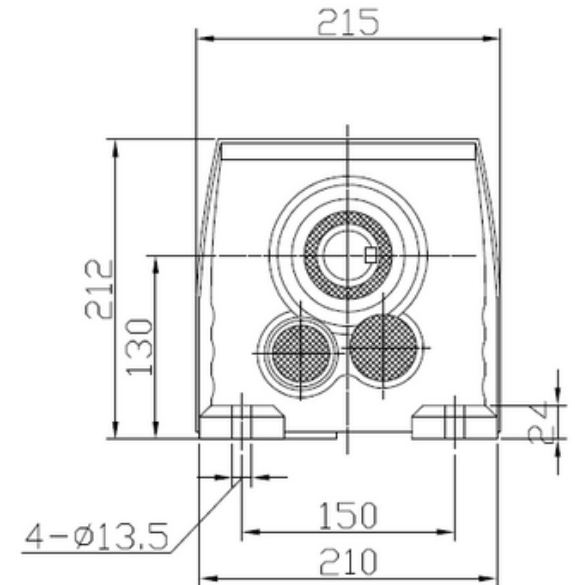
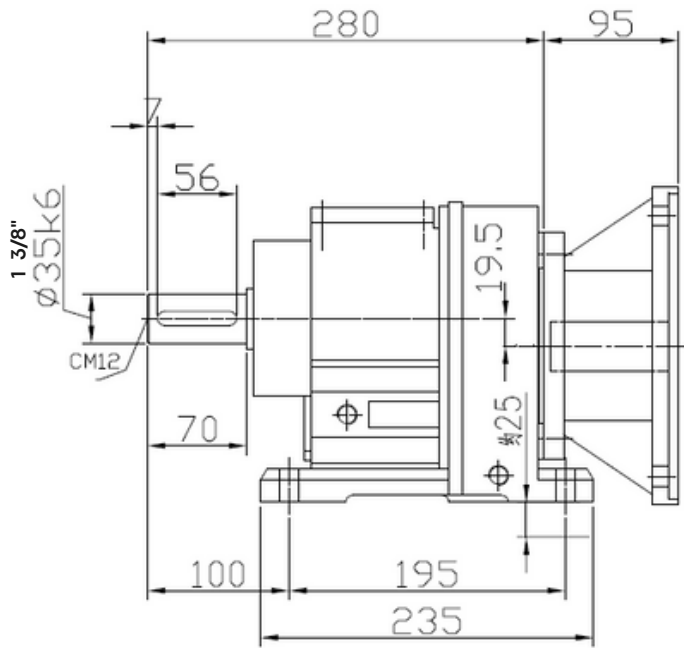
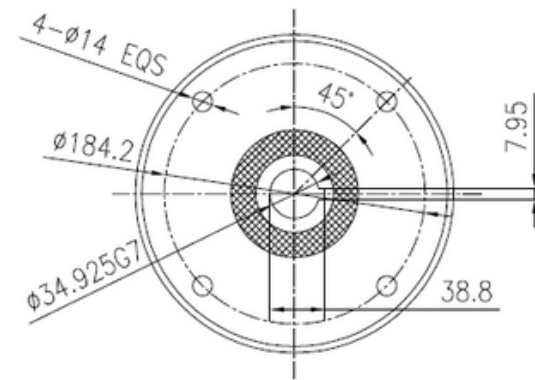
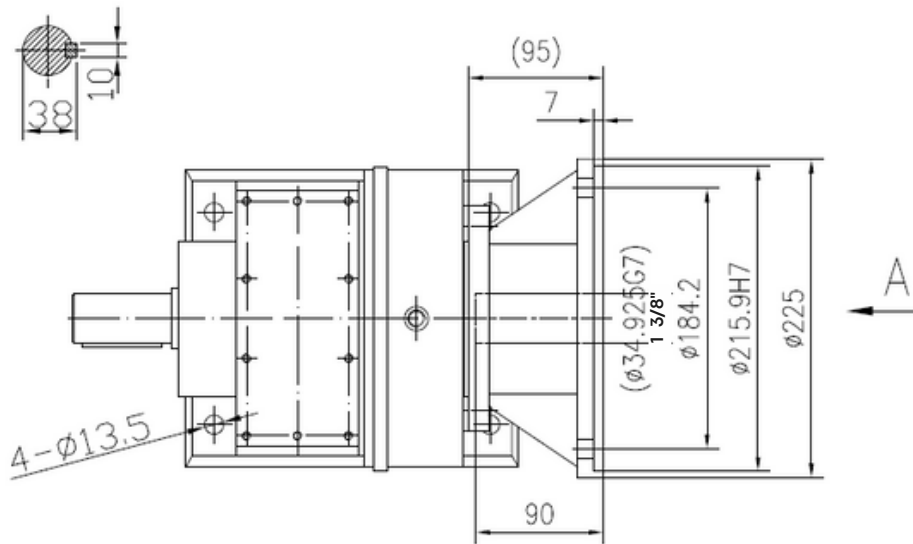


R68-9-210TC



A Side



Designed by EVAN	Checked by WENKY	Approved-date CDL-2023/08/14	No. ADK-H-08	Scale 2023/08/14	Sc 1
---------------------	---------------------	---------------------------------	-----------------	---------------------	---------



www.motorreductores.mx
www.mairsa.com.mx
contacto@mairsa.com.mx

(33) 38-10-49-96
 (33) 35-93-32-88

/mairsa1
 /mairsa_eagle
 /mairsa

