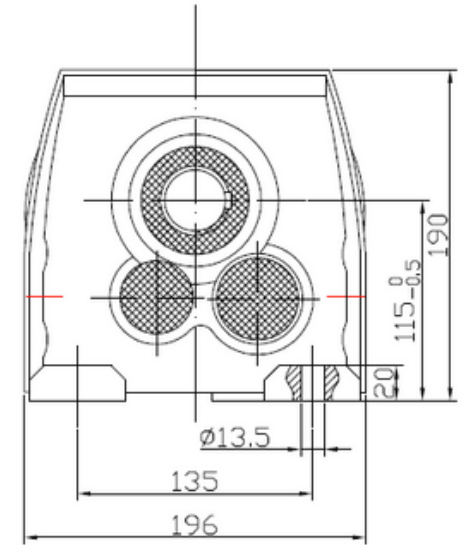
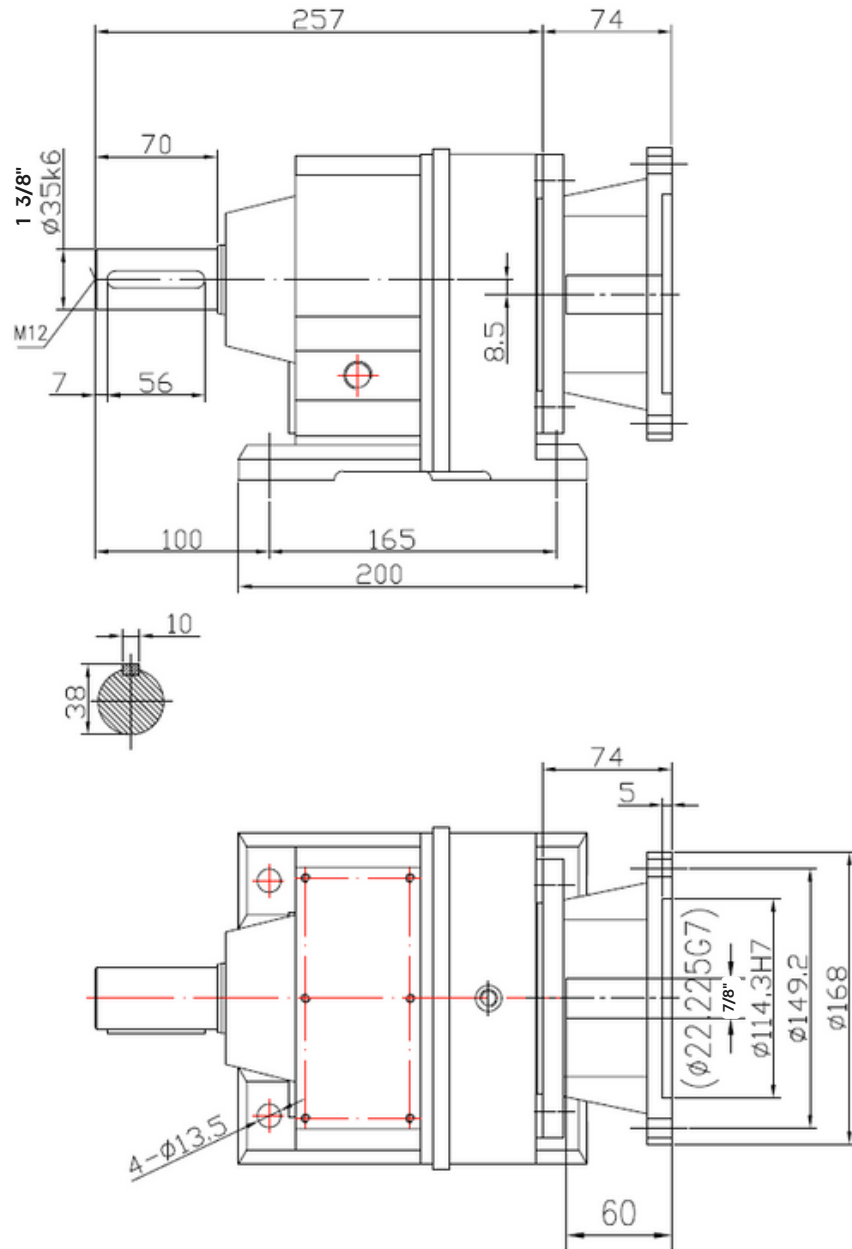
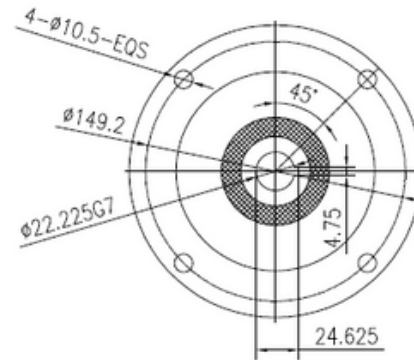


R58-43-140TC








A Side






Designed by EVAN	Checked by WENKY	Approved-date CDL-2023/08/14	No. ADK-H-08	Date 2023/08/14	Sc 1
---------------------	---------------------	---------------------------------	-----------------	--------------------	---------



 www.motorreductores.mx
 www.mairsa.com.mx
 contacto@mairsa.com.mx

 (33) 38-10-49-96
 (33) 35-93-32-88

 /mairsa1
 /mairsa_eagle
 /mairsa

