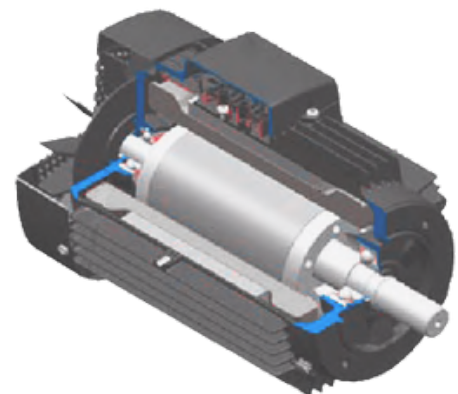




Motores Monofásicos Armazón 48 & 56



VISITA NUESTROS SITIOS WEB:
www.motorreductores.mx
www.mairsa.com.mx

Motores Monofásicos Armazón 48 & 56



Los motores monofásicos WEG son construidos de acuerdo a las especificaciones NEMA.

Características Generales

- Rotor Tipo Jaula de Ardilla.
- Arranque con Capacitor.
- Rodamientos de Bolas.
- Abiertos a Prueba de Goteo (APG / ODP) – IP21.
- Aislamiento Clase B.
- Tensión 127V y 127/220V.
- Armazón de Lámina Rolada.
- Servicio Continuo
- Color Negro

Ventajas Tecnológicas

- Arranque Suave.
- Protección Térmica.
- Más silencioso.
- Más ligero.
- Alto performance eléctrico.
- Mejoras en sistema de ventilación.
- Diseño mecánico optimizado (estilo americano).

Certificación:



Modelos

Uso General



Uso Bomba NEMA / Dynamic Pump

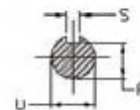
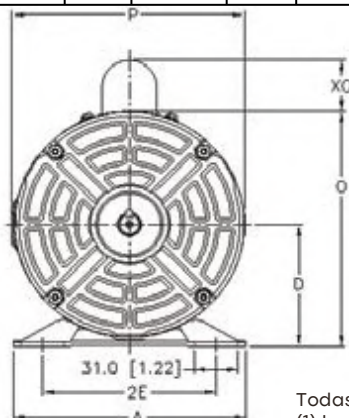
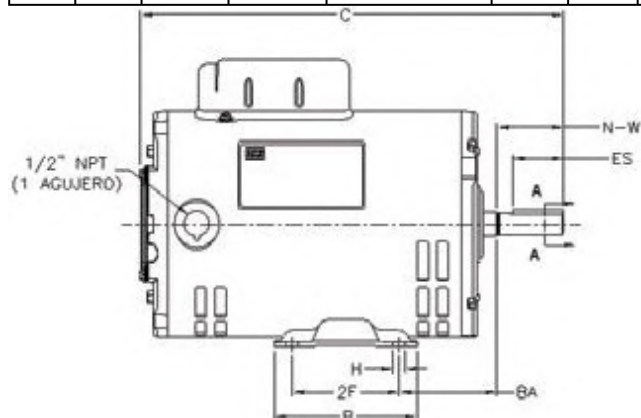


Datos Eléctricos

Potencia HP	kw	Factor de Servicio	Polos	Armazón	Código de Referencia	Tensión V	RPM min-1	Corriente Nominal A	Corriente a Factor de Servicio A	Clave KVA/HP	Eficiencia Nominal %	Factor de Potencia HP kW pu
0.25	0.187	1.35	2	56	.2536OS1PA56	127/220	3510	6.28/2.35	6.50/2.70	R	52.5	0.44
		1.35	4	56	.2518OS1P56	127/220	1745	5.50/2.50	5.80/2.80	P	50.5	0.52
0.33	0.249	1.35	2	56	.3336OS1PA56	127/220	3510	7.21/2.70	7.40/3.10	P	55.0	0.57
		1.35	4	56	.3318OS1P56	127/220	1750	6.40/2.50	7.00/3.00	P	52.5	0.57
0.50	0.373	1.25	2	56	.5036OS1PA56	127/220	3515	9.10/3.70	9.70/4.60	N	59.5	0.58
		1.25	4	56	.5018OS1P56	127/220	1740	8.00/3.80	8.70/4.30	N	57.5	0.63
0.75	0.560	1.25	2	56	.7536OS1PA56	127/220	3500	11.50/5.00	12.55/5.85	M	62.0	0.61
		1.25	4	56	.7518OS1P56	127/220	1750	12.5/5.50	13.10/6.10	P	59.5	0.59
1.00	0.746	1.25	2	56	00136OS1P56	127/220	3515	13.00/6.20	14.00/7.30	M	64.0	0.70
		1.15	4	56	00118OS1P56	127/220	1730	15.00/7.50	17.50/8.62	M	62.0	0.63
1.50	1.119	1.15	2	56	00156OS1P56	127/220	3500	16.50/8.80	18.90/10.10	L	68.0	0.78
		1.15	4	56	00158OS1P56	127/220	1730	20.20/9.37	21.30/10.60	M	66.0	0.66
2.00	1.492	1.15	2	56H	00236OS1P56	127/220	3520	20.0/10.5	22.0/11.5	M	72.0	0.81
		1.15	4	56H	00218OS1P56	127/220	1735	29.00/13.50	33.3/15.50	M	70.0	0.57

Datos Mecánicos

Potencia HP	kw	Polos	Armazón	Código de Referencia	D	2E	2F	BA	H	U	N-W	R	ES Min.	S	C	P	O	XO (1)																																																																		
0.25	0.187	2	56	.2536OS1PA56	88.9 [3.50]	61.976 [2.44]	76.2 [3.00]		8.636 [0.34]	15.875 [0.6250]	47.752 [1.88]	13.1318 [0.517]	35.814 [1.41]	4.7752 [0.188]	267 [10.5]	147 [5.8]	161 [6.3]	37.5 [1.47]																																																																		
		4	56	.2518OS1P56											267 [10.5]	147 [5.8]	161 [6.3]																																																																			
0.33	0.249	2	56	.3336OS1PA56											88.9 [3.50]	61.976 [2.44]	76.2 [3.00]			8.636 [0.34]	15.875 [0.6250]	47.752 [1.88]	13.1318 [0.517]	35.814 [1.41]	4.7752 [0.188]	277 [10.9]	147 [5.8]	161 [6.3]	37.5 [1.47]																																																							
		4	56	.3318OS1P56																						277 [10.9]	147 [5.8]	161 [6.3]																																																								
0.50	0.373	2	56	.5036OS1PA56																						88.9 [3.50]	61.976 [2.44]	76.2 [3.00]			8.636 [0.34]	15.875 [0.6250]	47.752 [1.88]	13.1318 [0.517]	35.814 [1.41]	4.7752 [0.188]	287 [11.3]	147 [5.8]	161 [6.3]	37.5 [1.47]																																												
		4	56	.5018OS1P56																																	287 [11.3]	147 [5.8]	161 [6.3]																																													
0.75	0.560	2	56	.7536OS1PA56																																	88.9 [3.50]	61.976 [2.44]	76.2 [3.00]			8.636 [0.34]	15.875 [0.6250]	47.752 [1.88]	13.1318 [0.517]	35.814 [1.41]	4.7752 [0.188]	287 [11.3]	147 [5.8]	161 [6.3]	37.5 [1.47]																																	
		4	56	.7518OS1P56																																												312 [12.2]	166 [6.5]	171 [6.7]																																		
1.00	0.746	2	56	00136OS1P56																																												88.9 [3.50]	61.976 [2.44]	76.2 [3.00]			8.636 [0.34]	15.875 [0.6250]	47.752 [1.88]	13.1318 [0.517]	35.814 [1.41]	4.7752 [0.188]	312 [12.2]	166 [6.5]	171 [6.7]	37.5 [1.47]																						
		4	56	00118OS1P56																																																							312 [12.2]	166 [6.5]	171 [6.7]																							
1.50	1.119	2	56	00156OS1P56																																																							88.9 [3.50]	61.976 [2.44]	76.2 [3.00]			8.636 [0.34]	15.875 [0.6250]	47.752 [1.88]	13.1318 [0.517]	35.814 [1.41]	4.7752 [0.188]	322 [12.6]	166 [6.5]	171 [6.7]	37.5 [1.47]											
		4	56	00158OS1P56																																																																		322 [12.6]	166 [6.5]	171 [6.7]												
2.00	1.492	2	56H	00236OS1P56																																																																		88.9 [3.50]	61.976 [2.44]	127.0 [5.00]			8.636 [0.34]	15.875 [0.6250]	47.752 [1.88]	13.1318 [0.517]	35.814 [1.41]	4.7752 [0.188]	352 [13.8]	166 [6.5]	171 [6.7]	37.5 [1.47]
		4	56H	00218OS1P56																																																																													362 [14.2]	166 [6.5]	171 [6.7]	



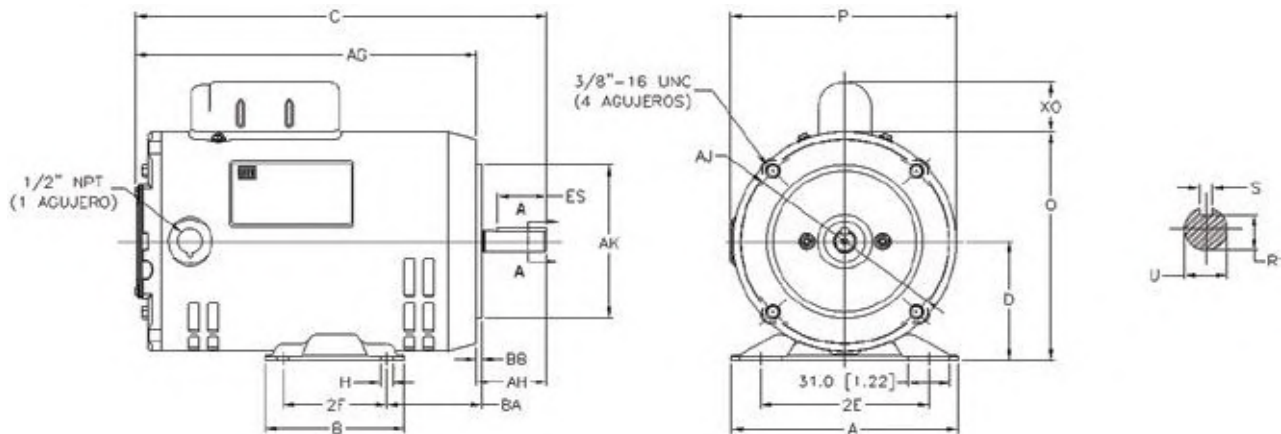
Todas las dimensiones estan en mm [pulgadas]
(1) La distancia XO varia para motores de doble capacitor.

Datos Eléctricos

Potencia		Factor de Servicio	Polos	Armazón	Código de Referencia	Tensión V	RPM min-1	Corriente Nominal A	Corriente a Factor de Servicio A	Clave KVA/HP	Eficiencia Nominal %	Factor de Potencia HP kW pu
HP	kw											
0.25	0.187	1.35	2	56C	.2536OS1PA56C	127/220	3510	6.28/2.35	6.50/2.70	R	52.5	0.44
		1.35	4	56C	.2518OS1P56C	127/220	1745	5.50/2.50	5.80/2.80	P	50.5	0.52
0.33	0.249	1.35	2	56C	.3336OS1PA56C	127/220	3510	7.21/2.70	7.40/3.10	P	55.0	0.57
		1.35	4	56C	.3318OS1P56C	127/220	1750	6.40/2.50	7.00/3.00	P	52.5	0.57
0.50	0.373	1.25	2	56C	.5036OS1PA56C	127/220	3515	9.10/3.70	9.70/4.60	N	59.5	0.58
		1.25	4	56C	.5018OS1P56C	127/220	1740	8.00/3.80	8.70/4.30	N	57.5	0.63
0.75	0.560	1.25	2	56C	.7536OS1PA56C	127/220	3500	11.50/5.00	12.55/5.85	M	62.0	0.61
		1.25	4	56C	.7518OS1P56C	127/220	1750	12.5/5.50	13.10/6.10	P	59.5	0.59
1.00	0.746	1.25	2	56C	00136OS1P56C	127/220	3515	13.00/6.20	14.00/7.30	M	64.0	0.70
		1.15	4	56C	00118OS1P56C	127/220	1730	15.00/7.50	17.50/8.62	M	62.0	0.63
1.50	1.119	1.15	2	56C	00156OS1P56C	127/220	3500	16.50/8.80	18.90/10.10	L	68.0	0.78
		1.15	4	56C	00158OS1P56C	127/220	1730	20.20/9.37	21.30/10.60	M	66.0	0.66
2.00	1.492	1.15	2	56HC	00236OS1P56C	127/220	3520	20.0/10.5	22.0/11.5	M	72.0	0.81
		1.15	4	56HC	00218OS1P56C	127/220	1735	29.00/13.50	33.3/15.50	M	70.0	0.57

Datos Mecánicos

Potencia		Polos	Arma zón	Código de Referencia	D	2E	2F	BA	H	U	R	ES Min.	S	AJ	AK	BB min	AH	AG	C	P	O	XO (1)
HP	kw																					
0.25	0.187	2	56C	.2536OS1PA56C														214.7 [8.45]	267 [10.5]	147 [5.8]	161 [6.3]	
		4	56C	.2518OS1P56C															214.7 [8.45]	267 [10.5]	147 [5.8]	161 [6.3]
0.33	0.249	2	56C	.3336OS1PA56C														224.7 [8.84]	277 [10.9]	147 [5.8]	161 [6.3]	
		4	56C	.3318OS1P56C															224.7 [8.84]	277 [10.9]	147 [5.8]	161 [6.3]
0.50	0.373	2	56C	.5036OS1PA56C														234.7 [9.24]	287 [11.3]	147 [5.8]	161 [6.3]	
		4	56C	.5018OS1P56C															234.7 [9.24]	287 [11.3]	147 [5.8]	161 [6.3]
0.75	0.560	2	56C	.7536OS1PA56C	88.9 [3.50]	61.976 [2.44]		69.85 [2.75]	8.636 [0.34]	15.875 [0.6250]	13.138 [0.517]	35.814 [1.41]	4.7752 [0.188]	149.22 [5.875]	114.30 [4.500]	4.06 [0.16]	52.3 [2.06]	234.7 [9.24]	287 [11.3]	147 [5.8]	161 [6.3]	37.5 [1.47]
		4	56C	.7518OS1P56C			76.2 [3.00]											259.7 [10.22]	312 [12.2]	166 [6.5]	171 [6.7]	
1.00	0.746	2	56C	00136OS1P56C														259.7 [10.22]	312 [12.2]	166 [6.5]	171 [6.7]	
		4	56C	00118OS1P56C															259.7 [10.22]	312 [12.2]	166 [6.5]	171 [6.7]
1.50	1.119	2	56C	00156OS1P56C														269.7 [10.61]	322 [12.6]	166 [6.5]	171 [6.7]	
		4	56C	00158OS1P56C															269.7 [10.61]	322 [12.6]	166 [6.5]	171 [6.7]
2.00	1.492	2	56HC	00236OS1P56C														299.7 [11.80]	352 [13.8]	166 [6.5]	171 [6.7]	
		4	56HC	00218OS1P56C			127.0 [5.00]												309.7 [12.19]	362 [14.2]	166 [6.5]	171 [6.7]



Todas las dimensiones estan en mm [pulgadas]
 (1) La distancia XO varia para motores de doble capacitor.

Datos Eléctricos

NEMA

Potencia HP	Potencia kw	Factor de Servicio	Polos	Armazón	Código de Referencia	Tensión V	RPM min-1	Corriente Nominal A	Corriente a Factor de Servicio A	Clave KVA/HP	Eficiencia Nominal %	Factor de Potencia pu
0.50	0.373	1.60	2	56J	.5036OS1PA56J	127/220	3515	9.10/3.70	10.30/5.40	N	59.5	0.58
0.75	0.560	1.50	2	56J	.7536OS1PA56J	127/220	3500	11.50/5.00	13.6/6.7	M	62.0	0.61
1.0	0.746	1.40	2	56J	00136OS1P56J	127/220	3510	10.9/5.40	13.1/7.30	M	64.0	0.84
1.5	1.119	1.30	2	56J	00156OS1P56J	127/220	3500	16.5/8.80	20.0/10.5	N	68.0	0.78
2.0	1.492	1.20	2	56J	00236OS1P56J	127/220	3520	20.0/10.5	22.0/11.5	M	72.0	0.81

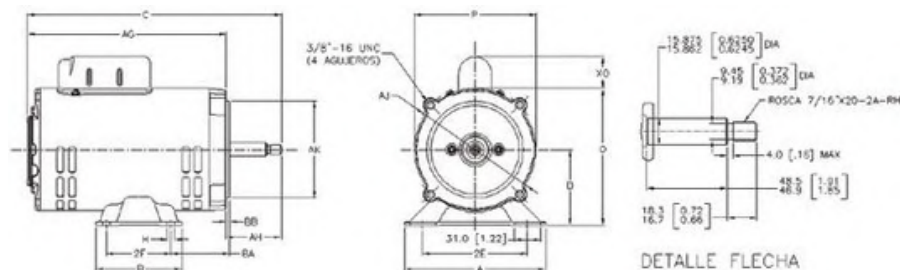
D PUMP

Potencia HP	Potencia kw	Factor de Servicio	Polos	Armazón	Código de Referencia	Tensión V	RPM min-1	Corriente Nominal A	Corriente a Factor de Servicio A	Clave KVA/HP	Eficiencia Nominal %	Factor de Potencia pu
		1.15	2	56J	.2536OE1XA56J	127	3420	5.27	5.6	L	52.5	0.53
0.50	0.373	1.00	2	56J	.5036OE1PA56J	127/220	3450	7.52/3.33	-	K	59.5	0.64
		1.15	2	56J	.5036OE1XA56J	127	3430	7.1	7.9	J	59.5	0.69
0.75	0.560	1.00	2	56J	.7536OE1PA56J	127/220	3430	9.50/4.70	-	K	62.0	0.74
		1.15	2	56J	.7536OE1XA56J	127	3450	8.97	10.06	J	62.0	0.79
1.0	0.746	1.00	2	56J	00136OE1PA56J	127/220	3424	12.40/6.32	-	K	64.0	0.74
1.5	1.119	1.00	2	56J	00156OE1P56J	127/220	3465	14.9/8.90	-	K	68.0	0.86
2.0	1.492	1.00	2	56J	00236OE1P56J	127/220	3500	20.0/10.5	-	K	72.0	0.7

*Para motores (1/4HP, 1/2HP y 3/4HP), con diferente factor de servicio, favor de llamar a su representante WEG mas cercano.

Datos Mecánicos

Potencia HP	Potencia kw	Polos	Armazón	Código de Referencia	D	2E	2F	BA	H	AJ	AK	BB min	AH	AG	C	P	O	XO (1)
		2	56J	.2536OE1XA56J										214.7 [8.45]	280 [11.02]	147 [5.8]	161 [6.3]	
		2	56J	.2536OS1PA56J										214.7 [8.45]	280 [11.02]	147 [5.8]	161 [6.3]	
0.50	0.373	2	56J	.5036OE1PA56J										214.7 [8.45]	280 [11.02]	147 [5.8]	161 [6.3]	
		2	56J	.5036OE1XA56J										214.7 [8.45]	280 [11.02]	147 [5.8]	161 [6.3]	
		2	56J	.5036OS1PA56J										224.7 [8.84]	290 [11.42]	147 [5.8]	161 [6.3]	
0.75	0.560	2	56J	.7536OE1PA56J	88.9 [3.50]	61.976 [2.44]	76.2 [3.00]	69.85 [2.75]	8.636 [0.34]	149.22 [5.875]	114.30 [4.500]	4.06 [0.16]	65.2 [2.57]	224.7 [8.84]	290 [11.42]	147 [5.8]	161 [6.3]	37.5 [1.47]
		2	56J	.7536OE1XA56J										224.7 [8.84]	290 [11.42]	147 [5.8]	161 [6.3]	
		2	56J	.7536OS1PA56J										234.7 [9.24]	300 [11.81]	147 [5.8]	161 [6.3]	
1.0	0.746	2	56J	00136OE1PA56J										234.7 [9.24]	300 [11.81]	147 [5.8]	161 [6.3]	
		2	56J	00136OS1P56J										259.7 [10.22]	325 [12.80]	166 [6.5]	171 [6.7]	
1.5	1.119	2	56J	00156OE1P56J										259.7 [10.22]	325 [12.80]	166 [6.5]	171 [6.7]	
		2	56J	00156OS1P56J										269.7 [10.62]	335 [13.19]	166 [6.5]	171 [6.7]	
2.0	1.492	2	56J	00236OE1P56J										269.7 [10.62]	335 [13.19]	166 [6.5]	171 [6.7]	
		2	56J	00236OS1P56J			127.0 [5.00]							299.7 [11.80]	365 [14.37]	166 [6.5]	171 [6.7]	



Todas las dimensiones estan en mm [pulgadas]
(1) La distancia XO varia para motores de doble capacitor.

Conoce nuestras líneas

Arrancador Directo (DLWM)

Protege tu motor contra sobrecarga.

Características

- Rearme del relé de sobrecarga incorporado en el botón (Tamaños 02 a 06).
- Permite entrada/salida de cables por la parte trasera de la base.
- Posibilidad de señalización con lámpara (accesorio).
- Arrancadores en caja termoplástica.



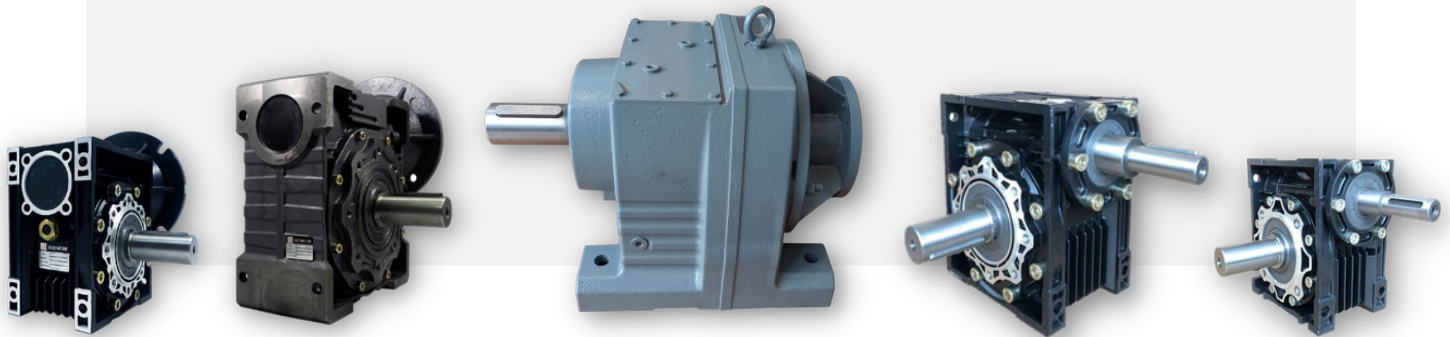
Guardamotor (MPW25)



La mejor protección contra corto-circuito y sobrecarga.

Características

- Solución compacta para protección de los circuitos eléctricos y arranque/protección de motores.
- Disparadores térmico y magnéticos.
- Alta capacidad de interrupción de corto-circuito.



SUCURSALES:

CULIACAN:

Bld. Emiliano
Zapata #2220 Pte.
Col. Vallado Nuevo
C.P. 80110

(667) 714-22-03 y
(667) 713-22-03

» Ir a Dirección

GUADALAJARA:

Av. Washington
#1576
Col. Moderna
C.P. 44190

(33) 38-10-49-96 y
(33) 14-78-84-15

» Ir a Dirección

MONTERREY:

Av. Dr. Jose Eleuterio
Gonzalez #914 L-1
Col. Leones
C.P. 64600

(81) 31-84-94-44 y
(81) 17-64-22-08

» Ir a Dirección

HERMOSILLO:

Calle Suaqui
#35-A
Col. Pimentel
C.P. 83188

(66)2210-2229

» Ir a Dirección

contacto@mairisa.com.mx

www.motorreductores.mx

www.mairisa.com.mx

