



Motor W22

Dimensiones Generales

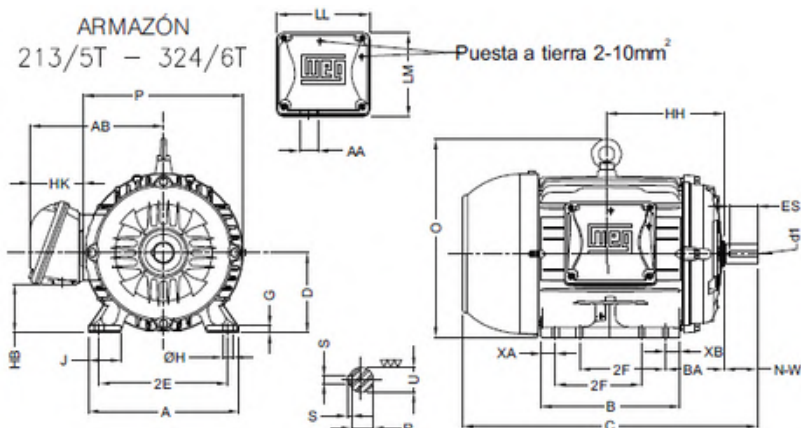
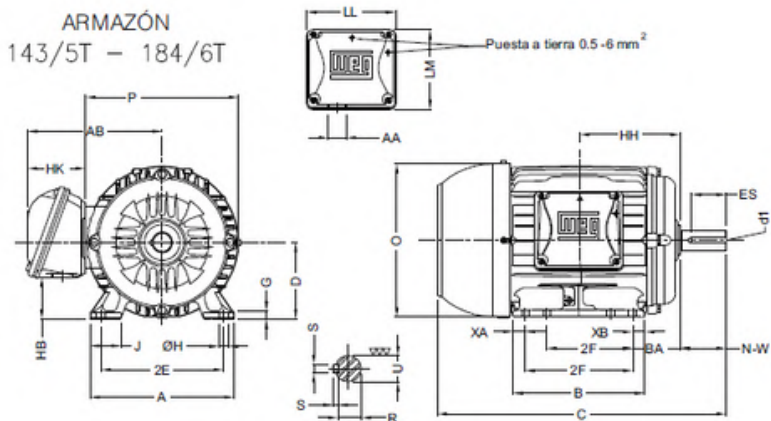
VISITA NUESTROS SITIOS WEB:
www.motorreductores.mx
www.mairisa.com.mx

Dimensiones Generales

W22 Nema Premium



ARMAZÓN	#	2E	2F-1	2F-2	H	BA	A	B	C	D	G	J	O	K	P	T	S	R
143/5T	1	5.500	4.000	5.000	0.340	2.250	6.457	6.142	13.346	3.500	0.354	1.457	7.126	-	7.244	-	0.887	0.771
182/4T	2	7.500	4.500	5.500	0.410	2.750	8.661	6.969	15.866	4.500	0.394	1.614	8.898	-	8.898	-	0.250	0.984
213/5T	3	8.500	5.500	7.000	0.410	3.500	9.764	8.858	19.528	5.250	0.630	1.772	10.512	-	10.787	-	0.313	1.203
254/6T	4	10.000	8.252	10.000	0.530	4.250	11.496	11.732	24.961	6.250	0.669	1.772	12.953	2.559	12.953	2.087	0.375	1.416
284/6TS	5	11.000	9.500	11.000	0.530	4.750	12.953	13.071	26.575	7.000	0.669	2.244	13.850	2.874	14.173	2.087	0.375	1.416
284/6T	6	11.000	9.500	11.000	0.530	4.750	12.953	13.071	27.913	7.000	0.669	2.244	13.850	2.874	14.173	2.087	0.500	1.591
324/6TS	7	12.500	10.500	12.000	0.660	5.250	15.157	14.567	29.606	8.000	1.343	3.181	15.945	4.055	15.827	2.114	0.500	1.594
324/6T	8	12.500	10.500	12.000	0.660	5.250	15.157	14.567	31.102	8.000	1.343	3.181	15.945	4.055	15.827	2.114	0.500	1.844
364/5TS	9	14.000	11.250	12.250	0.660	5.875	17.165	15.512	32.323	9.000	1.484	3.150	17.953	4.173	17.913	-	0.500	1.591
364/5T	10	14.000	11.250	12.250	0.660	5.875	17.165	15.512	34.409	9.000	1.484	3.150	17.953	4.173	17.913	-	0.625	2.019
404/5TS	11	16.000	12.250	13.750	0.810	6.625	19.921	18.386	36.732	10.000	1.811	3.937	19.566	5.669	19.134	-	0.500	1.842
404/5T	12	16.000	12.250	13.750	0.810	6.625	19.921	18.386	39.724	10.000	1.815	3.937	19.566	5.748	19.134	-	0.750	2.449
444/5TS	13	18.000	14.500	16.500	0.810	7.500	21.929	20.315	41.200	11.000	1.630	3.937	22.975	5.866	23.583	-	0.625	2.021
444/5T	14	18.000	14.500	16.500	0.810	7.500	21.929	20.315	44.950	11.000	1.630	3.937	22.975	5.866	23.583	-	0.875	2.880
445/7TS	15	18.000	20.000	25.000	0.810	7.500	21.929	31.535	52.588	11.000	1.630	4.331	22.795	6.692	23.583	-	0.625	2.021
445/7T	16	18.000	20.000	25.000	0.810	7.500	21.929	31.535	56.338	11.000	1.630	4.331	22.795	6.692	23.583	-	0.875	2.880
447/9TS	17	18.000	20.000	25.000	0.810	7.500	21.929	31.535	52.588	11.000	1.630	4.331	22.795	6.692	23.583	-	0.625	2.021
447/9T	18	18.000	20.000	25.000	0.810	7.500	21.929	31.535	56.338	11.000	1.630	4.331	22.795	6.692	23.583	-	0.875	2.880
L447/9TS	19	18.000	20.000	25.000	0.810	7.500	21.929	31.535	53.431	11.000	1.630	3.937	23.874	8.780	25.866	-	0.625	2.021
L447/9T	20	18.000	20.000	25.000	0.810	7.500	21.929	31.535	57.181	11.000	1.630	3.937	23.874	8.780	25.866	-	0.875	2.880
504/5TS	21	20.000	16.000	18.000	1.250	8.500	25.724	24.449	48.215	12.500	2.146	4.724	25.425	7.228	25.866	-	0.625	2.021
504/5T	22	20.000	16.000	18.000	1.250	8.500	25.724	24.449	54.095	12.500	2.146	4.724	25.425	7.228	25.866	-	0.875	3.134
586/7TS	23	23.000	22.000	25.000	1.181	10.000	29.528	29.921	55.027	14.500	2.492	5.512	28.985	9.055	28.997	-	0.625	2.021
586/7T	24	23.000	22.000	25.000	1.181	10.000	29.528	29.921	61.902	14.500	2.492	5.512	28.985	9.055	28.997	-	1.000	3.312
588/9TS	25	23.000	28.000	32.000	1.810	10.000	29.528	37.980	62.506	14.500	2.492	5.512	28.985	13.030	28.977	-	0.625	2.021
588/9T	26	23.000	28.000	32.000	1.810	10.000	29.528	37.980	69.381	14.500	2.492	5.512	28.985	13.030	28.977	-	1.000	3.120

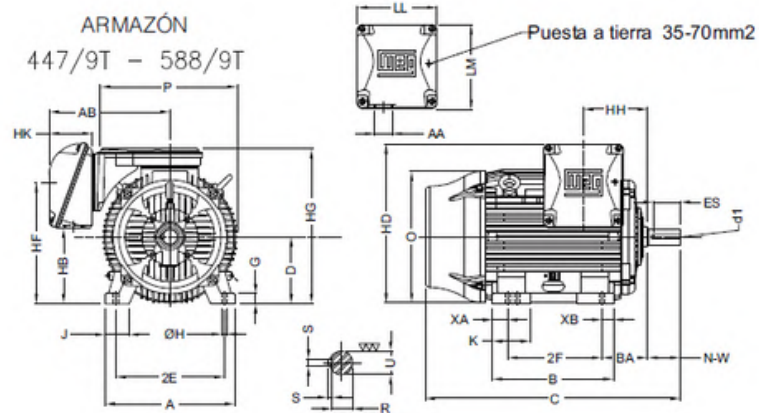
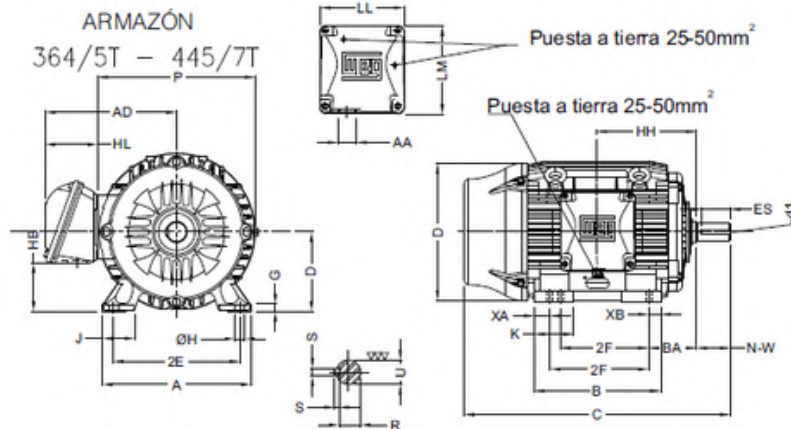


Dimensiones Generales

W22 Nema Premium



ARMAZÓN	#	ES	N-W	U	dI	AB	HB	HD	HF	HG	HH	HK	LL	LM	AA	D.E.	N.D.E
143/5T	1	1.575	2.250	0.187	A4	5.886	1.850	-	3.500	-	4.750	2.323	4.252	3.858	NPT 3/4"	6205-ZZ	6204-ZZ
182/4T	2	1.969	2.750	1.125	A4	7.559	2.244	-	4.500	-	5.500	3.150	5.512	5.236	NPT 1"	6207-ZZ	6206-ZZ
213/5T	3	2.480	3.375	1.375	A4	8.602	2.992	-	5.250	-	7.008	3.150	5.512	5.236	NPT 1"	6308-ZZ	6207-ZZ
254/6T	4	2.756	4.000	1.625	A4	10.492	3.061	-	6.565	-	9.252	3.976	7.815	7.480	NPT 1 1/2"	6309-C3	6209-C3
284/6TS	5	2.480	3.250	1.625	A4	11.083	3.543	-	7.000	-	10.256	3.976	7.815	7.480	NPT 1 1/2"	6311-C3	6211-C3
284/6T	6	3.150	4.622	1.875	A4	11.083	3.543	-	7.000	-	10.256	3.976	7.815	7.480	NPT 1 1/2"	6311-C3	6211-C3
324/6TS	7	2.756	3.750	1.875	A4	12.579	4.803	-	8.708	-	11.260	4.705	9.055	8.661	NPT 2"	6312-C3	6212-C3
324/6T	8	3.937	5.250	2.125	A4	12.579	4.803	-	8.708	-	11.260	4.705	9.055	8.661	NPT 2"	6312-C3	6212-C3
364/5TS	9	1.969	3.748	1.875	UNC 3/4"-10	16.024	4.252	-	-	-	11.998	6.024	10.591	11.220	NPT 3"	6314-C3	6314-C3
364/5T	10	4.331	5.874	2.375	UNC 3/4"-10	16.024	4.252	-	-	-	11.998	6.024	10.591	11.220	NPT 3"	6316-C3	6314-C3
404/5TS	11	2.756	4.250	2.125	UNC 3/4"-10	16.378	5.040	-	-	-	13.504	6.024	10.591	11.220	NPT 3"	6314-C3	6314-C3
404/5T	12	5.512	7.250	2.875	UNC 3/4"-10	16.024	5.256	-	-	-	13.504	6.024	10.591	11.220	NPT 3"	6316-C3	6314-C3
444/5TS	13	3.000	4.750	2.375	UNC 3/4"-10	18.386	5.394	-	-	-	15.748	5.787	11.811	11.890	2xNPT 3"	6314-C3	6314-C3
444/5T	14	7.087	8.500	3.375	UNC 3/4"-10	18.386	5.394	-	-	-	15.748	5.787	11.811	11.890	2xNPT 3"	6319-C3	6316-C3
445/7TS	15	3.000	4.750	2.375	UNC 3/4"-10	20.670	15.078	27.401	25.889	27.007	11.803	6.968	14.646	15.040	2xNPT 3"	6314-C3	6314-C3
445/7T	16	7.087	8.500	3.375	UNC 3/4"-10	20.670	15.078	27.401	25.889	27.007	11.803	6.968	14.646	15.040	2xNPT 3"	6319-C3	6316-C3
447/9TS	17	3.000	4.750	2.375	UNC 3/4"-10	20.670	15.078	27.401	25.889	27.007	11.803	6.968	14.646	15.040	2xNPT 3"	6314-C3	6314-C3
447/9T	18	7.087	8.500	3.375	UNC 3/4"-10	20.670	15.078	27.401	25.889	27.007	11.803	6.968	14.646	15.040	2xNPT 3"	6322-C3	6319-C3
L447/9TS	19	3.000	4.750	2.375	UNC 3/4"-10	23.071	15.078	27.401	25.889	27.007	11.500	8.464	15.906	17.244	2xNPT 3"	6314-C3	6314-C3
L447/9T	20	7.087	8.500	3.375	UNC 3/4"-10	23.071	15.078	27.401	25.889	27.007	11.500	8.464	15.906	17.244	2xNPT 3"	6322-C3	6319-C3
504/5TS	21	3.000	4.750	2.375	UNC 3/4"-10	20.670	15.275	30.305	24.291	29.409	10.394	6.968	14.646	15.040	2xNPT 3"	6314-C3	6314-C3
504/5T	22	8.661	10.630	3.625	UNC 3/4"-10	20.670	15.275	30.305	24.291	29.409	10.394	6.968	14.646	15.040	2xNPT 3"	6319-C3	6316-C3
586/7TS	23	3.000	4.750	2.375	UNC 3/4"-10	23.977	18.149	35.354	27.559	30.801	13.386	8.464	15.906	17.244	2xNPT 3"	6314-C3	6314-C3
586/7T	24	8.661	11.625	3.875	UNC 7/8"-9	23.977	18.149	35.354	27.559	30.801	13.386	8.464	15.906	17.244	2xNPT 3"	6322-C3	6319-C3
588/9TS	25	3.000	4.750	2.375	UNC 3/4"-10	27.600	6.063	35.346	26.182	33.346	13.386	12.519	17.441	28.740	2xNPT 3"	6314-C3	6314-C3
588/9T	26	8.661	11.625	3.875	UNC 7/8"-9	27.600	6.063	35.346	26.182	33.346	13.386	13.977	17.441	28.740	2xNPT 3"	6322-C3	6319-C3



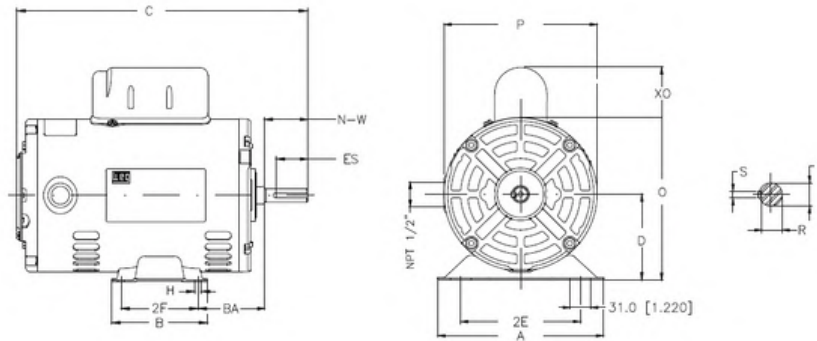
Dimensiones Generales

Monofásicos Uso General Armazón 56



"Motores Monofásicos de Uso General Armazón NEMA 56 - ODP (IP21)"																		
HP	Polos	Armazón NEMA	D	2E	2F	A	B	BA	H	U	N-W	R	ES-Min.	S	C	P	O	XO (1)
0.25	2	W56	88.9 [3.5]	124 [4.88]	76.2 [3.0]	166 [6.53]	102 [4.01]	69.85 [2.75]	8.7 [0.343]	15.875 [0.6250]	47.6 [1.874]	13.13 [0.513]	36 [1.417]	4.75 [0.187]	261 [10.275]	145 [5.709]	161 [6.33]	47.2 [1.859]
	4	W56													261 [10.275]			
0.33	4	W56													281 [11.062]			
	0.5	2													W56			
4		W56													291 [11.456]			
0.75	2	W56													281 [11.062]			
	4	E56			312 [12.283]													
1	2	W56			164 [6.456]	171 [6.7]	161 [6.33]	34.2 [1.347]										
	4	E56							291 [11.456]									
1.5	2	W56							322 [12.677]									
	4	E56H							301 [11.850]									
2	2	E56							342 [13.464]									
	4	E56H	322 [12.677]															
3	2	E56H	332 [13.070]															
			352 [13.858]															

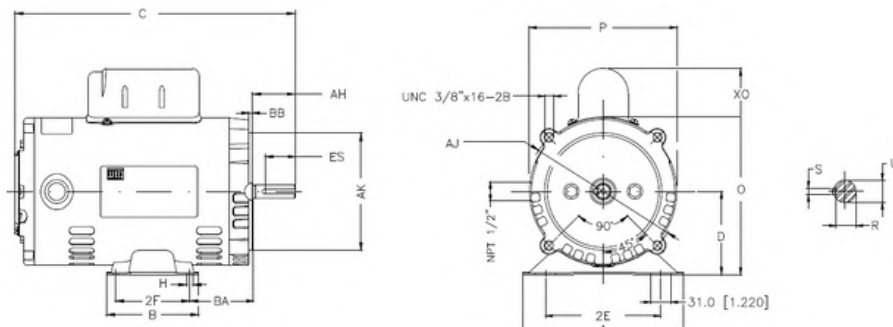
Todas las dimensiones estan en mm [pulgadas]
 (1) La distancia XO varia para motores de doble capacitor.
 Dimensiones y tolerancias de acuerdo a NEMA MG-1



"Motores Monofásicos de Uso General Brida ""C"" Armazón NEMA W56 - 56C - ODP (IP21)"

HP	Polos	Armazón NEMA	D	2E	2F	A	B	BA	H	U	R	ES-Min.	S	AJ	AK	BB Min.	AH	C	P	O	XO (1)
0.25	2	W56	88.9 [3.5]	124 [4.88]	76.2 [3.0]	166 [6.53]	102 [4.01]	69.85 [2.75]	8.7 [0.343]	15.875 [0.6250]	13.13 [0.513]	36 [1.417]	4.75 [0.187]	149.22 [5.875]	114.3 [4.5]	4 [0.157]	52.4 [2.062]	261 [10.275]	145 [5.709]	161 [6.33]	47.2 [1.859]
	4	W56																261 [10.275]			
0.33	4	W56																281 [11.062]			
	0.5	2																W56			
4		W56																291 [11.456]			
0.75	2	W56																281 [11.062]			
	4	E56			312 [12.283]																
1	2	W56			164 [6.456]	171 [6.7]	161 [6.33]	34.2 [1.347]													
	4	E56							291 [11.456]												
1.5	2	W56							322 [12.677]												
	4	E56H							301 [11.850]												
2	2	E56							342 [13.464]												
	4	E56H	322 [12.677]																		
3	2	E56H	332 [13.070]																		
			352 [13.858]																		

Todas las dimensiones estan en mm [pulgadas]
 (1) La distancia XO varia para motores de doble capacitor.
 Dimensiones y tolerancias de acuerdo a NEMA MG-1



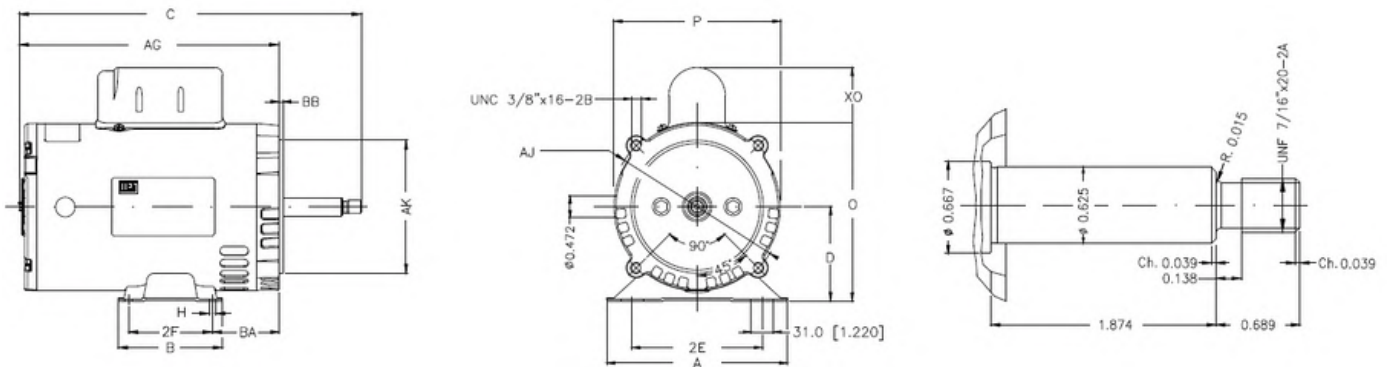
Dimensiones Generales

Monofásicos Uso General Armazón 56



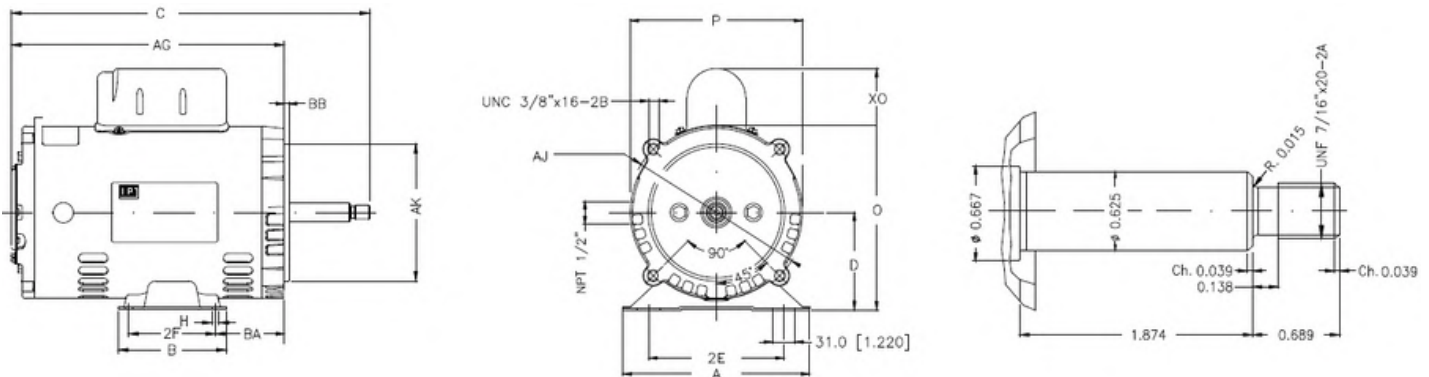
"Motores Monofásicos de Uso General Armazón NEMA W56 - 56C - ODP (IP21)"																	
HP	Polos	Armazón NEMA	D	2E	2F	A	B	BA	H	AJ	AK	BB Min.	AG	C	P	O	XO (1)
0.25	2	W56	88.9 [3.5]	124 [4.88]	76.2 [3.0]	166 [6.53]	102 [4.01]	69.85 [2.75]	8.7 [0.343]	149.22 [5.875]	114.30 [4.500]	4 [0.157]	208.2 [8.196]	273.3 [10.760]	145 [5.709]	161 [6.33]	47.2 [1.859]
0.5	2	W56											228.2 [8.984]	293.3 [11.547]			
0.75	2	W56											238.2 [9.377]	303.3 [11.941]			
1	2	W56											248.2 [9.771]	313.3 [12.334]	164 [6.456]	171 [6.7]	36.2 [1.426]
1.5	2	E56											259.7 [10.224]	324.7 [12.786]			
2	2	E56											279.7 [11.011]	344.7 [13.570]			
3	2	E56	309.7 [12.192]	374.7 [14.751]													

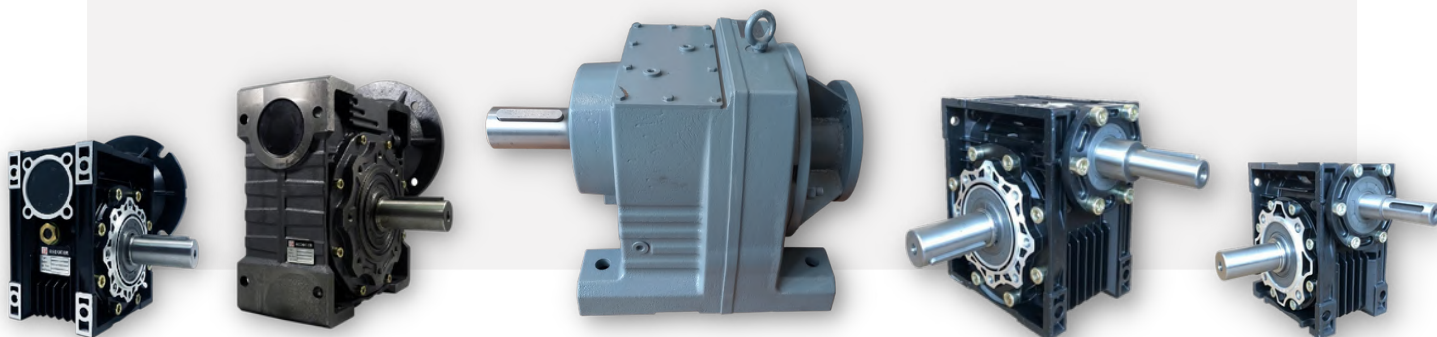
Todas las dimensiones estan en mm [pulgadas]
 (1) La distancia XO varía para motores de doble capacitor.
 Dimensiones y tolerancias de acuerdo a NEMA MG-1



"Motores Monofásicos Ecogreen Armazón NEMA W56J - ODP (IP21)"																	
HP	Polos	Armazón NEMA	D	2E	2F	A	B	BA	H	AJ	AK	BB Min.	AG	C	P	O	XO (1)
0.25	2	W56J	88.9 [3.5]	124 [4.88]	76.2 [3.0]	166 [6.53]	102 [4.01]	59 [2.324]	8.7 [0.343]	149.22 [5.875]	114.30 [4.500]	4 [0.157]	165.5 [6.512]	230.5 [9.075]	145 [5.709]	161 [6.33]	47.2 [1.859]
0.5	2	W56J						175.5 [6.905]					240.5 [9.468]				
0.75	2	W56J						185.5 [7.299]					250.5 [9.862]				
1	2	W56J						195.5 [7.693]					260.5 [10.256]				
1.5	2	W56J						245.5 [9.665]					310.5 [12.224]				

Todas las dimensiones estan en mm [pulgadas]
 (1) La distancia XO varía para motores de doble capacitor.
 Dimensiones y tolerancias de acuerdo a NEMA MG-1





SUCURSALES:

CULIACAN:

Blvd. Emiliano
Zapata #2220 Pte.
Col. Vallado Nuevo
C.P. 80110

(667) 714-22-03 y
(667) 713-22-03

» Ir a Dirección

GUADALAJARA:

Av. Washington
#1576
Col. Moderna
C.P. 44190

(33) 38-10-49-96 y
(33) 14-78-84-15

» Ir a Dirección

MONTERREY:

Av. Dr. Jose Eleuterio
Gonzalez #914 L-1
Col. Leones
C.P. 64600

(81) 31-84-94-44 y
(81) 17-64-22-08

» Ir a Dirección

HERMOSILLO:

Calle Suaqui
#35-A
Col. Pimentel
C.P. 83188

(66)2210-2229

» Ir a Dirección

contacto@mairsa.com.mx

www.motorreductores.mx

www.mairsa.com.mx

