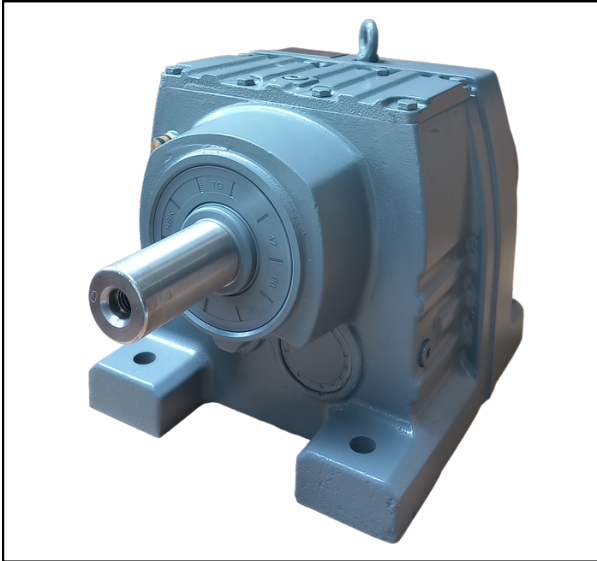


# Reductor Colineal

De engranes helicoidales Tamaño 67



mairsa



Modelo	Relación	RPM	Torque máx. lb-in	HP	Factor de Servicio	Brida	Flecha de entrada	Flecha de salida
R 67	10	173	947	2	1.3	140	7/8"	1 3/8"
	10	173	2186	5	1.2	180	1-1/8"	1 3/8"
	16	109	4337	7.5	0.93	210	1-3/8"	1 3/8"
	40	44	5071	3	1.18	180	1-1/8"	1 3/8"
	61	29	4412	2	1.2	140	7/8"	1 3/8"

Tamaño	a	e	g	h	j	k	m	Dimensiones del eje					Brida				H	L1	L2	N	U1	T1	D1
	b	f					n	d	l1	l2	s	t	p	l5	V	l6							
R67	7.68	9.25	3.94	2.36	1.26	ø 0.55	2.00	ø 1.375*	2.76	2.23	1/2-13*1.12	1.51	6.50	2.15	0.41	8.35	13.13	10.98	0.67	0.188	0.71	0.625	
	5.91	8.27					5.12 <sup>0</sup> <sub>-0.02</sub>					0.31	4.50	0.39	5.875								

